

432 SERIES REGULATORS



The 432 Series dual stage regulators are intended for primary pressure control of ultra-high purity, corrosive or toxic gases. Two stages of pressure regulation minimize pressure variation regardless of supply pressure variations making this regulator ideal for applications requiring constant pressure control and delivery.

Typical Applications

- EPA Protocol Gases
- Gas and Liquid Chromatography
- High Purity Carrier Gases
- Zero, Span, and Calibration Gases
- Ultra High Purity Chamber Pressurization
- Corrosive Gases



4323331-01-580 shown

Features

- CAPSULE® Seat Design** features integral 360° filtration in both stages
- 316L Stainless Steel Diaphragm** prohibits inboard diffusion
- Cleanroom Assembly** eliminates contamination at installation
- Front and Rear Panel-Mountable** facilitates a variety of system configurations
- Pipe Away Relief Valve** vents exhaust gas safely
- Metal-to-Metal Diaphragm Seal** prevents gas contamination
- 10-Micron Filtration in Both Stages** provides fail-safe seat performance

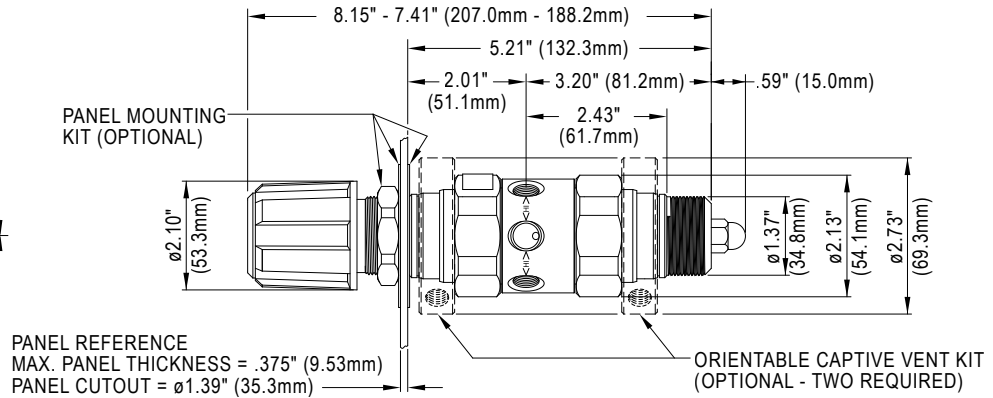
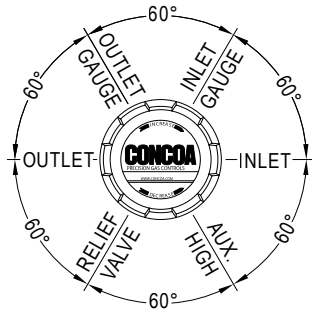
Materials and Specifications

- Maximum Inlet Pressure (bare body):** 3000 PSIG (210 BAR)); optional 3500 PSIG (240 BAR) or 4500 PSIG (310 BAR)
- Body:** 316L Stainless steel barstock
- Bonnet:** Chrome-plated brass barstock
- Gauges:** 2 in (50 mm) diameter stainless steel
- Seat:** PCTFE (first stage); PTFE (second stage)
- Filter:** 10-micron 316 stainless steel mesh
- Temperature Range:** -40°F to 140°F (-40°C to 60°C)
- Diaphragm:** 316L stainless steel
- Cv:** 0.1 *See flow curves attached*
- Helium Leak Integrity:** 1×10^{-9} scc/sec
- Internal Seals:** PTFE
- Ports (bare body):** 1/4 in FNPT
- Weight (4323331-580):** 5.09 lbs. (2.31 kg)
- Conformances:** Cleanliness meets or exceeds CGA G-4.1; PED 2014/68/EU; ANSI/ASME B40.1; CRN

432 SERIES REGULATORS



Installation Dimensions



Ordering Information

432	A	B	C	D	-CON	Options	
Series	Outlet Pressure	Outlet Gauge	Inlet Gauge	Outlet Assemblies	Assembly/Gauges	Inlet Connections	Installed Options
432	1: 0-15 PSIG (0-1 BAR)	30"-0-30 PSIG/ -1-0-2 BAR)	0: None	0: 1/4" FPT port	0: Bare body	000: 1/4" FPT	B: Protocol alarm station with pressure switch gauges
	2: 0-50 PSIG (0-3.5 BAR)	30"-0-100 PSIG/ -1-0-7 BAR	3: 0-4000 PSIG/ 0-275 BAR	1: 1/4" MPT	1: Cleanroom assembly (PSIG/kPa gauges)	TF2: 1/8" tube	C: Protocol switchover station
	3: 0-100 PSIG (0-7 BAR)	30"-0-200 PSIG/ -1-0-14 BAR	5: 0-1000 PSIG/ 0-70 BAR	2: 1/4" tube fitting	2: Cleanroom assembly (BAR/PSIG gauges)	TF4: 1/4" tube	D: Deep purge*
	4: 0-250 PSIG (0-17 BAR)	0-400 PSIG/ 0-27 BAR	6: 0-300 PSIG/ 0-21 BAR	3: Diaphragm valve 1/4" tube fitting		TF6: 3/8" tube	E: Protocol alarm station with intrinsically safe transducer for hazardous environments
	7: 0-150 PSIG (0-10 BAR)	30"-0-200 PSIG/ -1-0-14 BAR	7: 0-400 PSIG/ 0-27 BAR	4: Diaphragm valve 1/4" MPT		M06: 6mm tube	H: Protocol switchover alarm station with pressure switch gauges
	E: 0-350 PSIG (0-24 BAR)	0-400 PSIG/ 0-27 BAR	8: 0-6000 PSIG/ 0-415 BAR*	5: Needle valve 1/4" MPT		CGA DIN 477 BS 341 and others available	J: Protocol alarm station with standard transducer for non hazardous environments
		G: 0-4000 PSIG/ 0-275 BAR†	6: 1/8" tube fitting	7: 3/8" tube fitting			K: Protocol switchover alarm station with standard transducer for non hazardous environments
		<i>*Maximum inlet pressure 4500 PSIG (310 BAR) with PCTFE seat CAPSULE®</i>		8: Diaphragm valve 1/8" tube fitting			M: Protocol station
		<i>†Maximum inlet pressure 3500 PSIG (240 BAR) with PCTFE seat CAPSULE</i>		9: Diaphragm valve 1/4" FPT			Q: Protocol purge station*
				M: 6mm tube fitting			S: Stainless steel bonnet
				S: Diaphragm valve 6mm tube fitting			X: Protocol switchover alarm station with intrinsically safe transducer for hazardous environments

*Not available with 4500 PSIG (310 BAR) max inlet pressure

Related Options

Order No.	Description
550 0002	Panel mount kit
550 0001	Captured vent kit (2 required)
476 0002	Helium leak certification

432 SERIES REGULATORS



Flow Curves for 432 Series

