

202 SERIES REGULATORS



The 202 Series regulators are intended for primary pressure control of non-corrosive, high purity or liquefied gases (up to grade 4.5) in applications where minor fluctuations in outlet pressure due to diminishing inlet supply pressure can be tolerated.

Typical Applications

- Fuel Gas Supply Control
- Gas Supply Purging
- Gas System Charging
- Atomic Absorption Acetylene



202 3331-01-580 shown

Features

High Flow Capacity supplies multiple user locations

Standard Relief Valve protects diaphragm and gauge

316L Stainless Steel Diaphragm prevents inboard diffusion

Large Convuluted Diaphragm ensures smooth pressure changes

Field-Adjustable Pressure Limit safeguards downstream equipment

CAPSULE® Seat Technology increases product serviceability and life

Pressure Ranges 0-15 to 0-200 PSIG (0-1 to 0-34 BAR) satisfies a broad range of applications

Materials and Specifications

Maximum Inlet Pressure: 3000 PSIG (210 BAR)

Body: Chrome-plated forged brass

Bonnet: Chrome-plated, die cast zinc

Gauges: 2 1/2 in (68 mm) diameter plated case

Seat: PTFE

Filter: 10-micron sintered bronze

Temperature Range: -40°F to 140°F (-40°C to 60°C)

Diaphragm: 316L Stainless steel

Cv: 0.2

Helium Leak Integrity 1 x 10⁻⁸ scc/sec

Internal Seal: PTFE

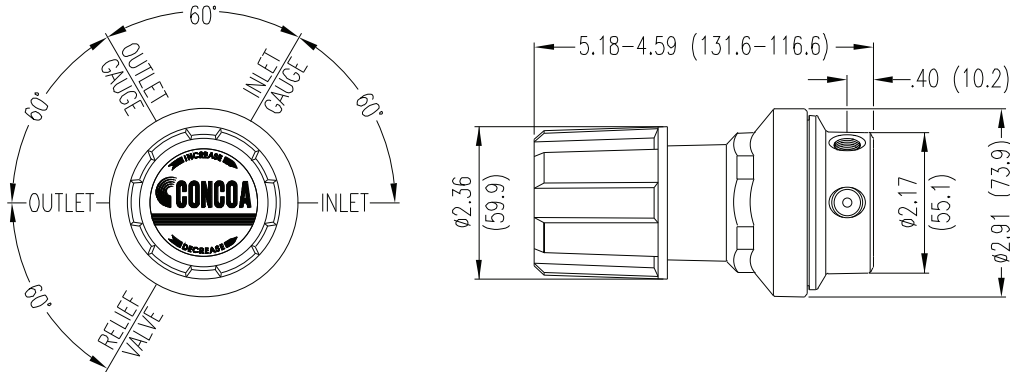
Ports (bare body): 1/4 in FNPT

Conformances: Cleanliness meets or exceeds CGA G-4.1; PED 2014/68/EU; ANSI/ASME B40.1; CRN OH5216

202 SERIES REGULATORS



Installation Dimensions



Ordering Information

202	A	B	C	D	-CON	Options	
Series 202	Outlet Pressure	Outlet Gauge	Inlet Gauge	Outlet Assemblies	Assembly Gauges	Inlet Connections	Installed Options
	1: 0-15 PSIG (0-1 BAR)	0-30 PSIG/ 0-2 BAR	0: None	0: 1/4 in FPT port	0: Bare body	000: 1/4 in FPT	B: Protocol alarm station with pressure switch gauges
	2: 0-40 PSIG (0-3 BAR)	0-60 PSIG/ 0-4 BAR	3: 0-4000 PSIG/ 0-275 BAR	1: 1/4 in MPT	1: Standard assembly (PSIG/kPa gauges)	TF2: 1/8 in tube	C: Protocol switchover station
	3: 0-120 PSIG (0-8 BAR)	0-200 PSIG/ 0-14 BAR	5: 0-1000 PSIG/ 0-70 BAR	2: 1/4 in tube fitting	2: Standard assembly (BAR/PSIG gauges)	TF4: 1/4 in tube	E: Protocol alarm station with intrinsically safe transducer for hazardous environments
	4: 0-200 PSIG (0-14 BAR)	0-400 PSIG/ 0-27 BAR	6: 0-400 PSIG/ 0-27 BAR	3: Diaphragm valve 1/4 in tube fitting		TF6: 3/8 in tube	H: Protocol switchover alarm station with pressure switch gauges
	5: 0-15 (0-1 BAR)*	0-30 PSIG/ 0-2 BAR	7: 0-200 PSIG/ 0-14 BAR	5: Needle valve 1/4 in MPT		CGA DIN 477 BS 341 and others available	J: Protocol alarm station with standard transducer for non-hazardous environments
	<i>*With redline for acetylene use</i>		9: 0-600 PSIG/ 0-41 BAR	6: 1/8 in tube fitting			K: Protocol switchover alarm station with standard transducer for non-hazardous environments
				7: 3/8 in tube fitting			M: Protocol station
				8: Diaphragm valve 1/8 in tube fitting			Q: Protocol purge station*
				9: Diaphragm valve 1/4 in FPT			T: Tee purge
				A: 3/8 in BSP RH fitting			X: Protocol switchover alarm station with intrinsically safe transducer for hazardous environments
				B: Diaphragm valve 3/8 in tube fitting			<i>*Not available with 4500 PSIG (310 BAR) max inlet pressure</i>
				C: 3/8 in BSP LH fitting			
				D: 6 mm brass hose barb (not available if A=4 or 5)			
				G: 1/8 in stainless steel tube fitting			
				H: 1/4 in stainless steel tube fitting			
				M: 6 mm tube fitting			
				S: Diaphragm valve 6 mm tube fitting			

Regulator Flow Curves



Flow Curves for 109, 202 and 455 Series Single Stage

